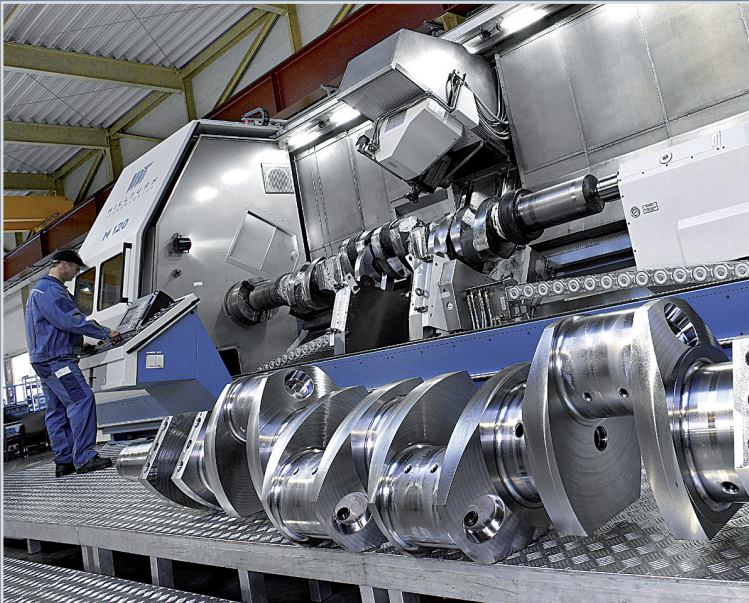


TopSolid'Cam from Missler Software The optimal CAD/CAM solution for WFL Millturn machines



WFL Millturn Technologies GmbH&Co. KG the leading worldwide supplier of machining centres is specialized in the production of multi-function milling and turning machines.

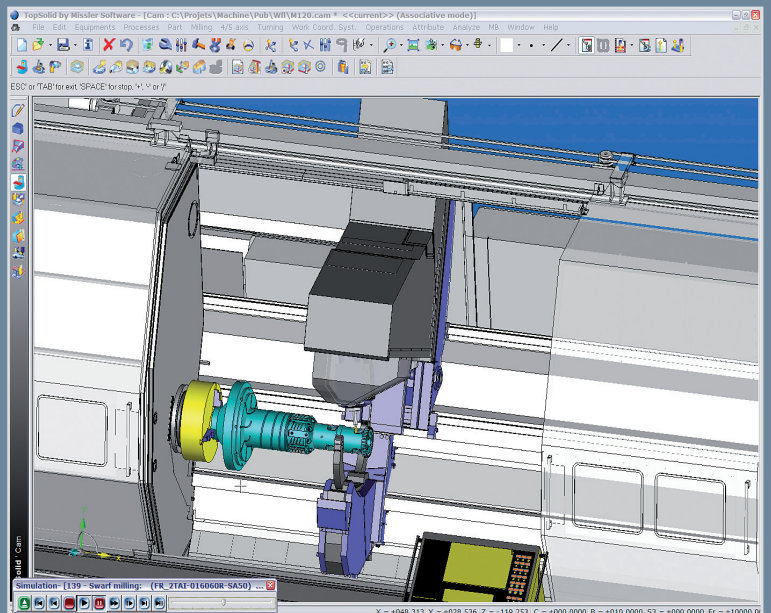
Such machines enable the machining of complex parts for which several machines were needed in the past.

To maximize the numerous possibilities offered by this new generation of machining centres a highly competent CAD/CAM solution is needed.

TopSolid'Cam: Comfort and security in programming

Since 2005 WFL Millturn Technologies has worked closely with TopSolid'Cam, from the French editor Missler Software. TopSolid'Cam is an integrated solution capable of driving all milling and turning operations:

- 2 axis milling and turning
- 3 axis milling
- 4 and 5 axis positioned milling
- 4 and 5 axis continued milling
- Multi-axis turning
- Synchronization and complex simulation



A close collaboration now exists between WFL Millturn Technologies and Missler Software; Missler Software's worldwide resellers offer the benefits to companies around the globe.

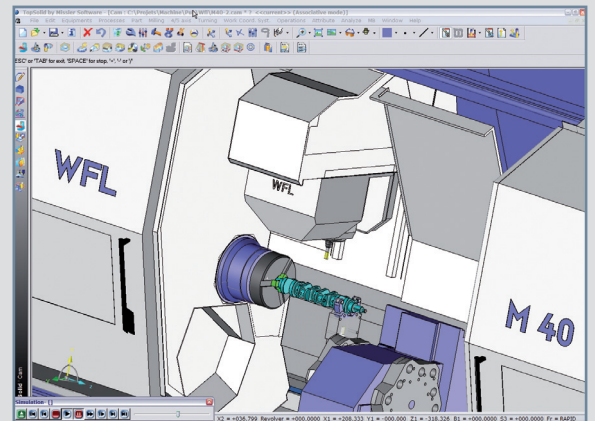
TopSolid'Cam functionalities which convinced WFL Millturn Technologies:

- Topological recognition
- Identification of individual shapes to subsequently propose the best machining methods
- Machine and part simulation
- Stock management and raw part updating
- Collision control
- Features recognition



Secure and rapid production with WFL Millturn technologies and TopSolid'Cam:

- Gain time and productivity by choosing a multifunction milling/turning machine
- Benefit from increased flexibility and assurance with a well-adapted CAD/CAM solution
- Work in complete security with 2 worldwide leaders



TopSolid'Cam enables the complete programming of parts in turning, milling and 5 axes operations.

TopSolid'Cam from Missler Software and WFL Millturn Technologies: the best solution to increase productivity for complex parts



Missler Software

7, rue du Bois Sauvage
91055 Evry, France
Tél. : +33 (0) 1 60 87 20 20
Fax : +33 (0) 1 60 87 20 30
E-mail : info@topsolid.com
Web : www.topsolid.com



WFL Millturn Technologies GmbH&Co.KG

Wahringerstr. 36
4030 Linz, Austria
Tel. : +43 732 6913 - 0
Fax : +43 732 6913 - 8172
E-mail : office@wfl.at
Web : www.wfl.at